


Count	Description
1	<p><b>CRN 5-6 A-FGJ-A-E-HQQE</b></p>  <p>Product No.: <a href="#">96085019</a></p> <p>Vertical, multistage centrifugal pump with inlet and outlet ports on same the level (inline). Pump materials in contact with the liquid are in high-grade stainless steel. A cartridge shaft seal ensures high reliability, safe handling, and easy access and service. Power transmission is via a rigid split coupling. Pipe connection is via combined DIN-ANSI-JIS flanges.</p> <p>The pump is fitted with a 3-phase, fan-cooled asynchronous motor.</p> <p><b>Liquid:</b>  Pumped liquid: Water  Liquid temperature range: -4 .. 248 °F  Selected liquid temperature: 68 °F  Density: 62.29 lb/ft³</p> <p><b>Technical:</b>  Rated pump speed: 3452 rpm  Rated flow: 30.4 US gpm  Rated head: 147.6 ft  Actual impeller diameter: 2.88 in  Pump orientation: Vertical  Shaft seal arrangement: Single  Code for shaft seal: HQQE  Approvals on nameplate: CURUS,NSF61  Curve tolerance: ISO9906:2012 3B</p> <p><b>Materials:</b>  Base: Stainless steel  EN 1.4408  AISI 316  Impeller: Stainless steel  EN 1.4401  AISI 316  Bearing: SIC</p> <p><b>Installation:</b>  Maximum ambient temperature: 140 °F  Maximum operating pressure: 362.59 psi  Max pressure at stated temperature: 363 psi / 250 °F  363 psi / -4 °F  Type of connection: DIN / ANSI / JIS  Size of inlet connection: DN 25/32  Size of outlet connection: DN 25/32  Pressure rating for pipe connection: PN 25  Flange rating inlet: 300 lb  Flange size for motor: 56C</p> <p><b>Electrical data:</b></p>



Company name:

Created by:

Phone:

Date:

12/30/2019

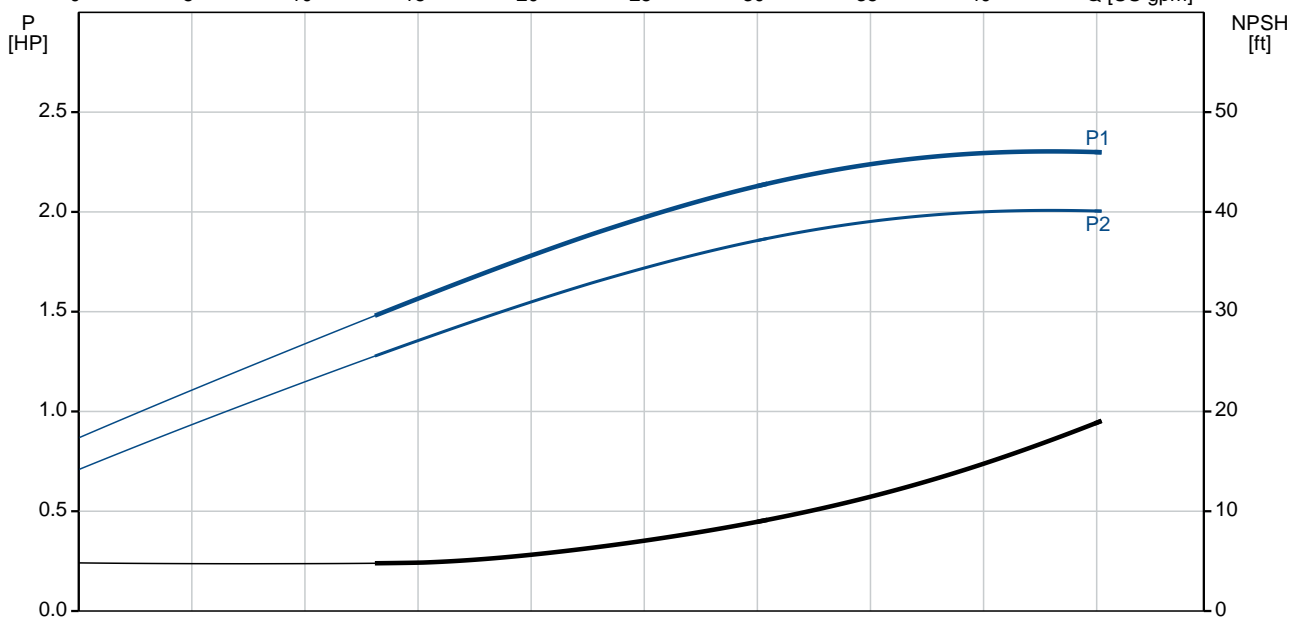
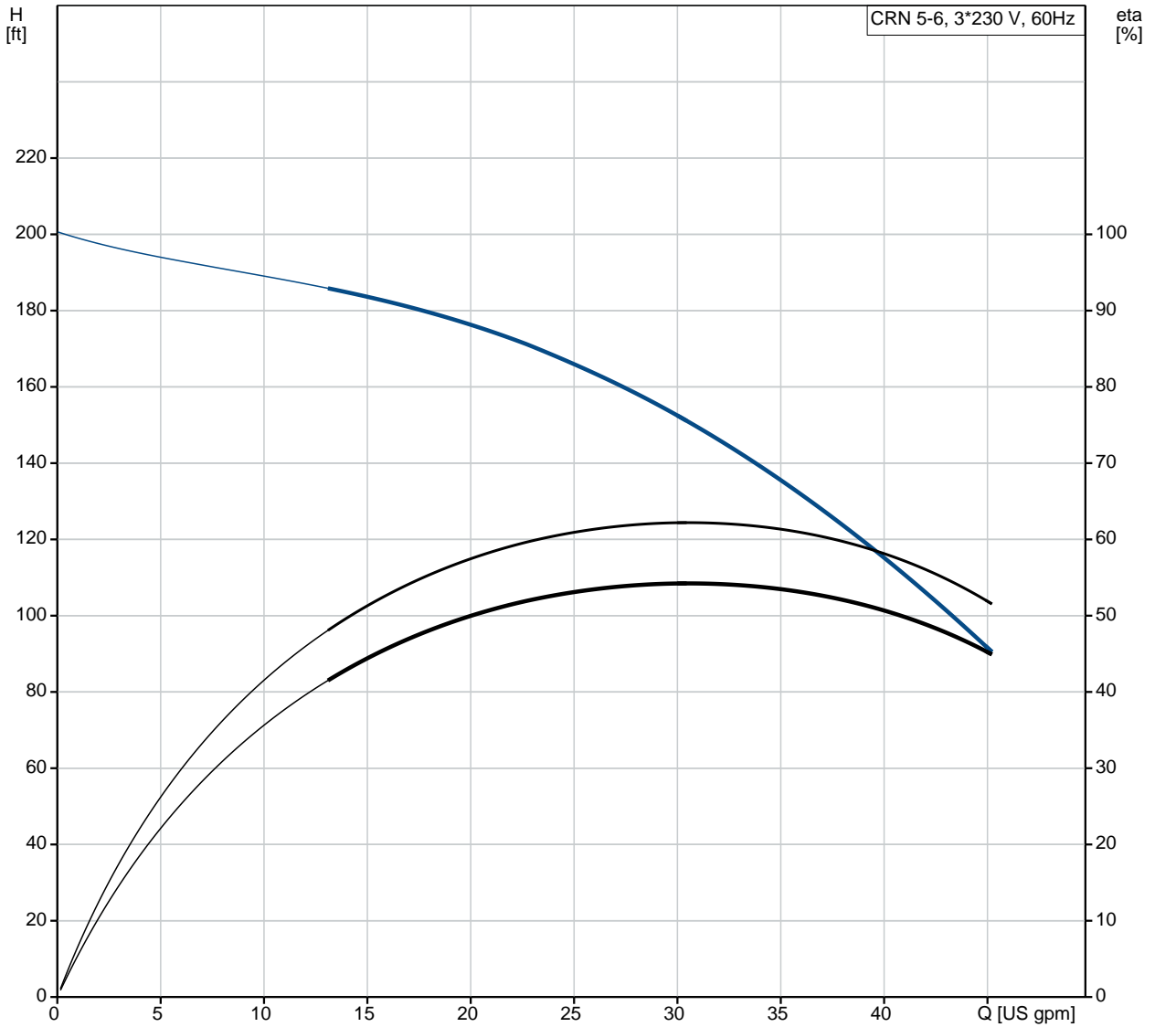
Count	Description
	Motor standard: NEMA
	Motor type: 90GB
	IE Efficiency class: NEMA Premium / IE3 60Hz
	Rated power - P2: 2 HP
	Power (P2) required by pump: 2 HP
	Main frequency: 60 Hz
	Rated voltage: 3 x 208-230YY/460Y V
	Service factor: 1.15
	Rated current: 6,00-5,80/2,90 A
	Starting current: 750-880 %
	Cos phi - power factor: 0.81-0.78
	Rated speed: 3500-3520 rpm
	IE efficiency: IE3 85,5%
	Motor efficiency at full load: 85.5 %
	Motor efficiency at 3/4 load: 86.2 %
	Motor efficiency at 1/2 load: 84.9 %
	Number of poles: 2
	Enclosure class (IEC 34-5): 55 Dust/Jetting
	Insulation class (IEC 85): F
	Motor Number: 99540185
	<b>Controls:</b>
	Frequency converter: NONE
	<b>Others:</b>
	DOE energy CL: 0.89
	Net weight: 74.6 lb
	Gross weight: 85.6 lb
	Shipping volume: 6.11 ft <sup>3</sup>
	Country of origin: US
	Custom tariff no.: 8413.70.2040



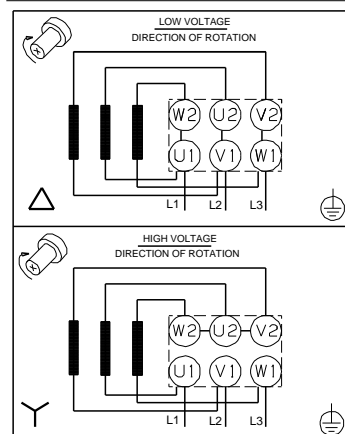
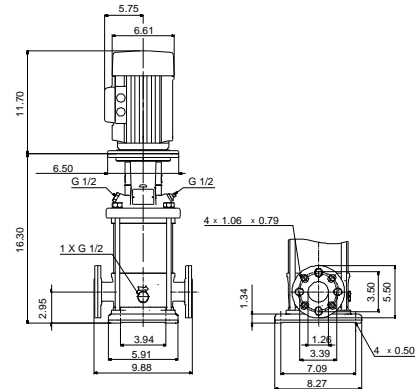
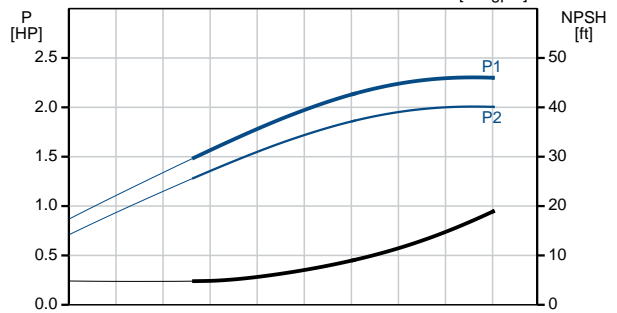
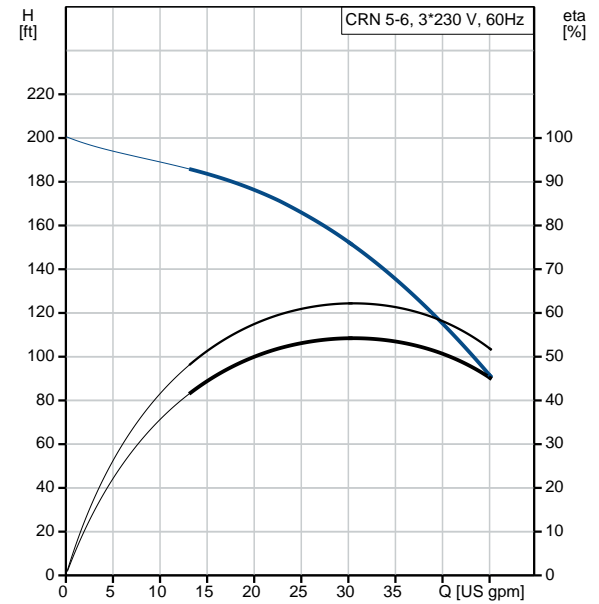
Company name:  
Created by:  
Phone:

Date: 12/30/2019

### 96085019 CRN 5-6 A-FGJ-A-E-HQQE 60 Hz



Description	Value
<b>General information:</b>	
Product name:	CRN 5-6 A-FGJ-A-E-HQQE
Product No.:	96085019
EAN:	5700395198577 5700395198577
<b>Technical:</b>	
Rated pump speed:	3452 rpm
Rated flow:	30.4 US gpm
Rated head:	147.6 ft
Head max:	203.8 ft
Actual impeller diameter:	2.88 in
Stages:	6
Impellers:	6
Number of reduced-diameter impellers:	0
Low NPSH:	No
Pump orientation:	Vertical
Shaft seal arrangement:	Single
Code for shaft seal:	HQQE
Approvals on nameplate:	CURUS, NSF61
Curve tolerance:	ISO9906:2012 3B
Pump version:	A
Model:	A
Cooling:	TEFC
<b>Materials:</b>	
Base:	Stainless steel EN 1.4408 AISI 316
Impeller:	Stainless steel EN 1.4401 AISI 316
Material code:	A
Code for rubber:	E
Bearing:	SIC
<b>Installation:</b>	
Maximum ambient temperature:	140 °F
Maximum operating pressure:	362.59 psi
Max pressure at stated temperature:	363 psi / 250 °F 363 psi / -4 °F
Type of connection:	DIN / ANSI / JIS
Size of inlet connection:	DN 25/32
Size of outlet connection:	DN 25/32
Pressure rating for pipe connection:	PN 25
Flange rating inlet:	300 lb
Flange size for motor:	56C
Connect code:	FGJ
<b>Liquid:</b>	
Pumped liquid:	Water
Liquid temperature range:	-4 .. 248 °F
Selected liquid temperature:	68 °F
Density:	62.29 lb/ft³
<b>Electrical data:</b>	
Motor standard:	NEMA
Motor type:	90GB
IE Efficiency class:	NEMA Premium / IE3 60Hz
Rated power - P2:	2 HP
Power (P2) required by pump:	2 HP





Company name:

Created by:

Phone:

Date:

12/30/2019

Description	Value
Main frequency:	60 Hz
Rated voltage:	3 x 208-230YY/460Y V
Service factor:	1.15
Rated current:	6,00-5,80/2,90 A
Starting current:	750-880 %
Load current:	6,80-6,60/3,30 A
Cos phi - power factor:	0.81-0.78
Rated speed:	3500-3520 rpm
IE efficiency:	IE3 85,5%
Motor efficiency at full load:	85.5 %
Motor efficiency at 3/4 load:	86.2 %
Motor efficiency at 1/2 load:	84.9 %
Number of poles:	2
Enclosure class (IEC 34-5):	55 Dust/Jetting
Insulation class (IEC 85):	F
Motor protection:	NONE
Motor Number:	99540185
<b>Controls:</b>	
Frequency converter:	NONE
<b>Others:</b>	
DOE energy CL:	0.89
Net weight:	74.6 lb
Gross weight:	85.6 lb
Shipping volume:	6.11 ft <sup>3</sup>
Country of origin:	US
Custom tariff no.:	8413.70.2040

## 96085019 CRN 5-6 A-FGJ-A-E-HQQE 60 Hz

